

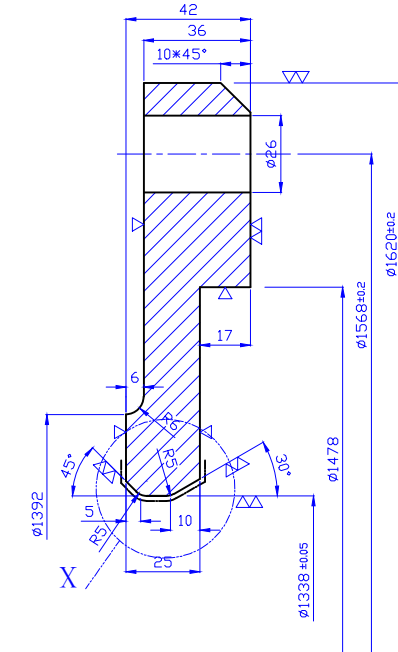
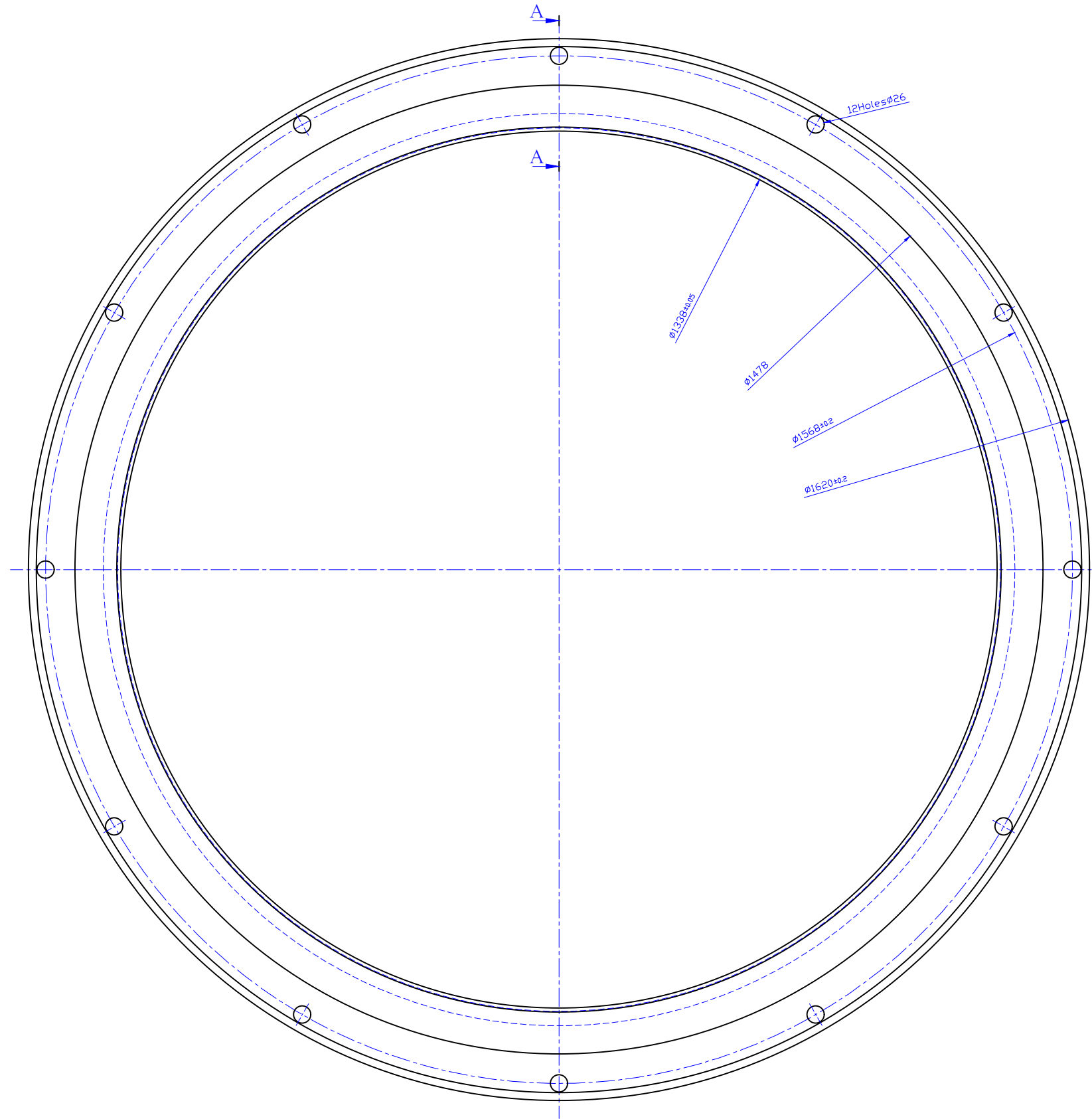
DETAIL X
Scale: 3:1



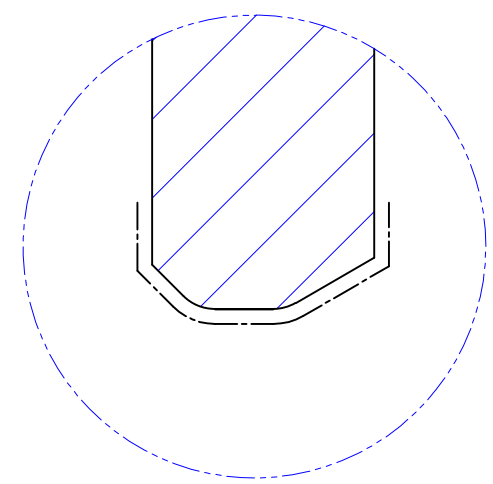
HORMOZGAN CEMENT Co.
ENGINEERING DEPARTMENT

DIN 140 (R2)	DIN ISO 1302	DEPARTMENT NAME : Raw Mill (Roller)			TITLE : Tyre Ø810/710*90		
~	✓	DESIGNED BY	Name	Signature	Date	ASS. DWG. NO. : 07.04.120204:12	DWG. NO. : 07.04.120204:12
▽	12.5/	DRWN. BY	Tayebi		20/12/86	REF. DWG. NO. : 538442 A	WEIGHT (Kg) : 40
▽▽	3.2/	CHECKED. BY	Tayebi		20/12/86	PART NO. :	SCALE :
▽▽▽	0.8/	APP. BY	Zakeri			MATERIAL : 42CRM04 V	PM CODE :
▽▽▽▽	0.8/	REV.				SHEET OF	UNIT : mm





SEC:A-A
Zoom 3X



Detail X
Zoom 3X

Case Hardening at 45±2 HRC
Hardness Depth = 3mm



HORMOZGAN CEMENT Co.
ENGINEERING DEPARTMENT

DIN 140 (B2)	DIN ISO 1502	DEPARTMENT NAME : Raw Mill (Roller)	TITLE : Cover
~	✓	DESIGNED BY	ASS. DWG. NO. : 07.04.120204-09 DWG. NO. : 07.04.120204-09
▽	12.5/	DRWN. BY Tayebi	REF. DWG. NO. : 538442 A WEIGHT (Kg) : 140 QUANTITY : 1
▽	3.2/	CHECKED BY Tayebi	PART NO. : SCALE : PM CODE :
▽	0.8/	APP. BY Zakari	MATERIAL : CK45 SHEET OF UNIT : mm
▽	0.8/	REV.	

